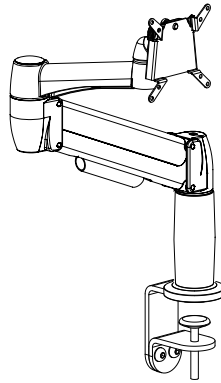


SA01QCCC

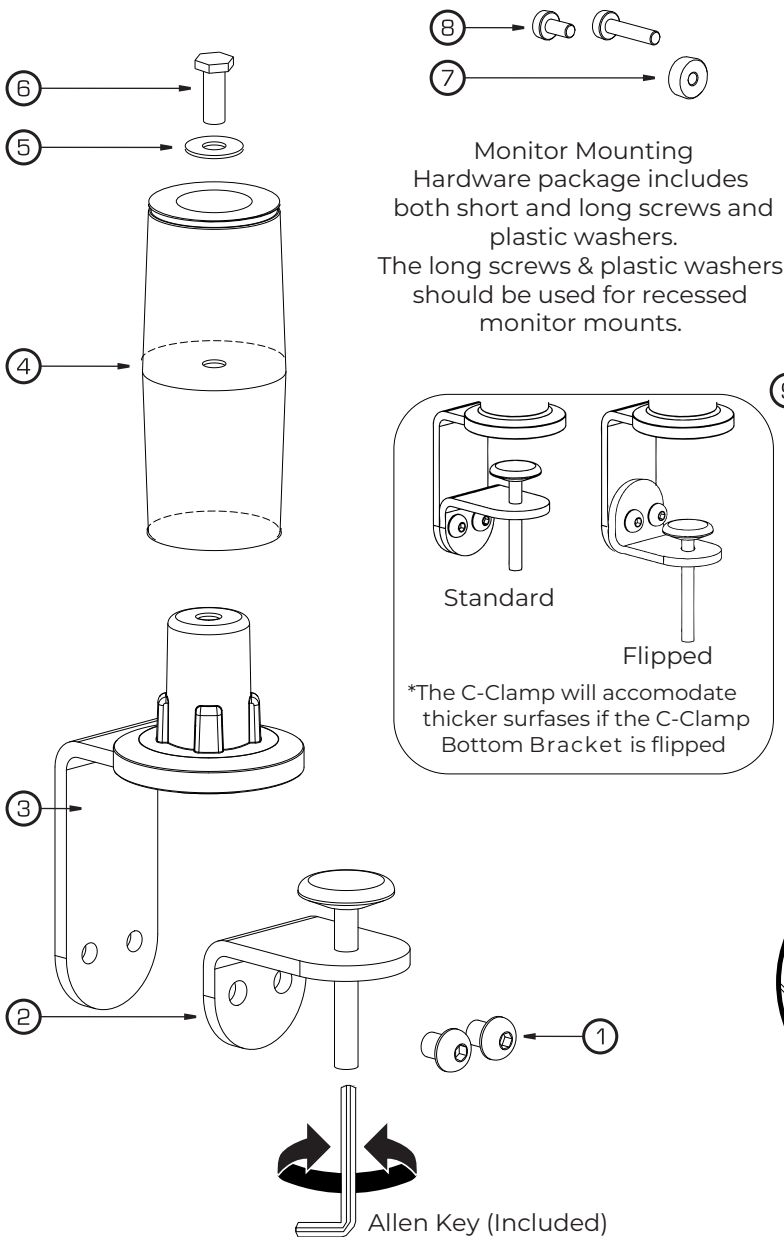
Standard SpaceArm Quick Change Single Hub C-Clamp



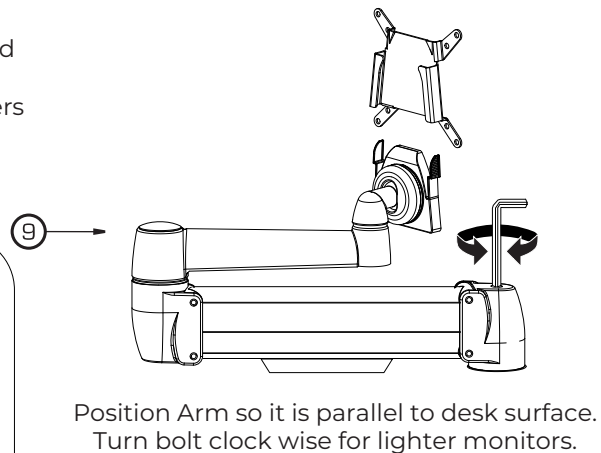
Required Tools:
17 mm Socket
5mm Allen Key (Included)
#2 Phillips Screwdriver

Contents:

#	QTY	Part Name
1	02	sm M10 Screw
2	01	C-Clamp Bottom Bracket
3	01	C-Clamp Baseplate
4	01	Single Hub
5	01	M10 Washer
6	01	M10 Bolt
7	04	Plastic Washer
8	08	Monitor Screws
9	01	Standard SpaceArm



Adjusting Counter Balance
*Required Tool: 5mm Allen Wrench



Cable Routing

