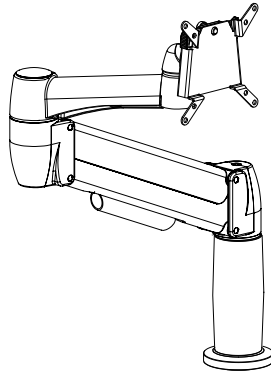


SA01QCBT

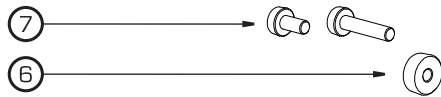
Standard SpaceArm Quick Change Single Hub Bolt Through



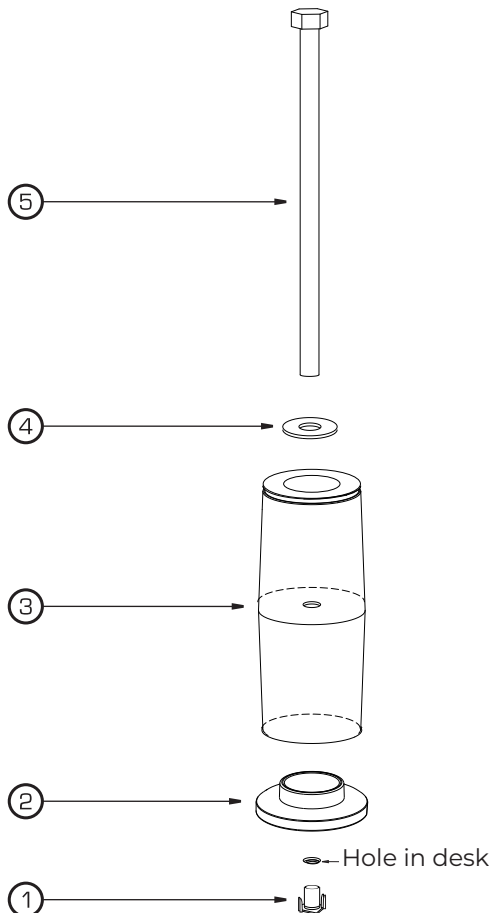
Required Tools:
17 mm Socket
5mm Allen Key
#2 Phillips Screwdriver

Contents:

#	QTY	Part Name
1	01	T-Nut
2	01	Bolt Through Base Plate
3	01	Double Hub
4	01	M10 Washer
5	01	M10 Bolt
6	01	Plastic Washer
7	08	Monitor Screws
8	02	Standard SpaceArm

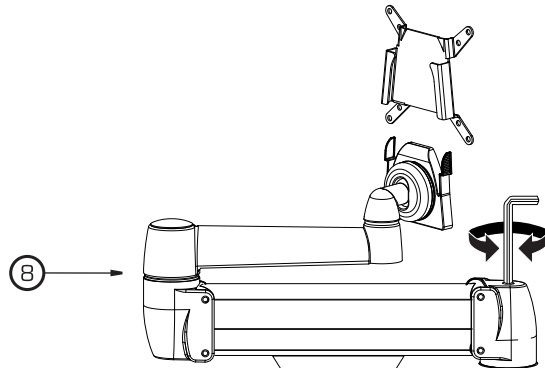


Monitor Mounting
Hardware package includes both short and long screws and plastic washers. The long screws & plastic washers should be used for recessed monitor mounts.



Adjusting Counter Balance

*Required Tool: 5mm Allen Wrench



Position Arm so it is parallel to desk surface. Turn bolt clock wise for lighter monitors.

Cable Routing

