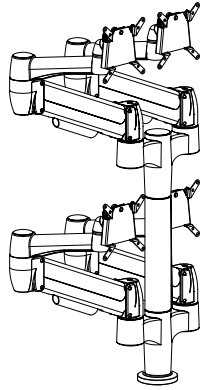


SA22QC-BT

Standard SpaceArm Quick Change Stacking Double Hub Bolt Through

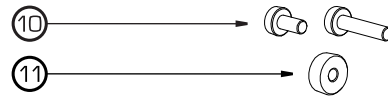
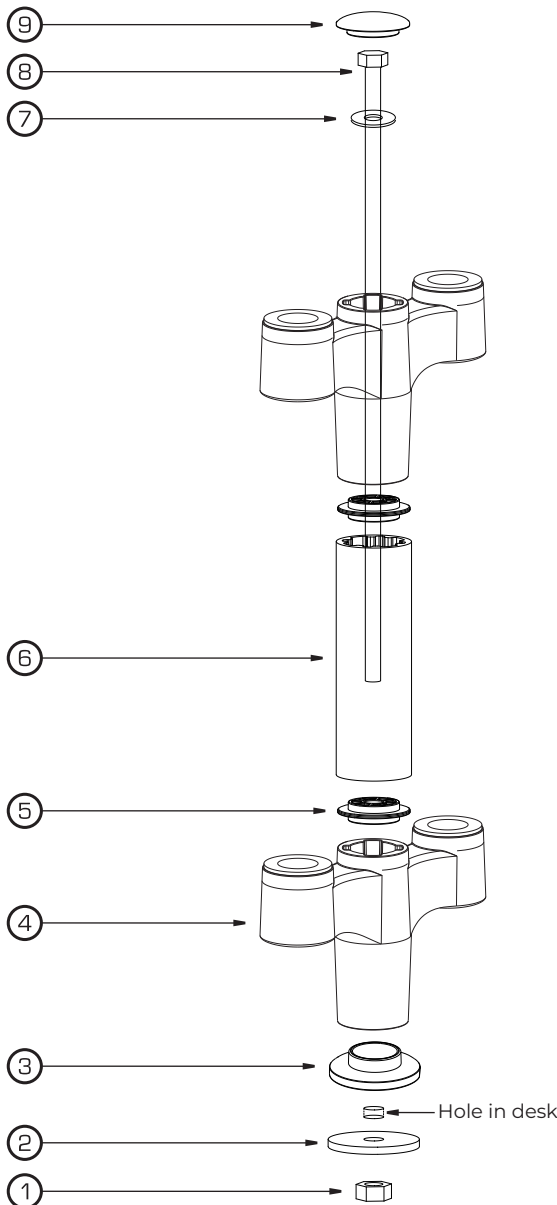


Required Tools:

- 17 mm Socket
- 5mm Allen Key (Included)
- #2 Phillips Screwdriver

Contents:

#	QTY	Part Name
1	01	Nut
2	01	M10 Washer
3	02	Base Plate
4	02	Double Hub
5	02	Stacking Spacer
6	01	8" Extension Tube
7	01	M10 Washer
8	01	M10 Bolt
9	01	Base Cap
10	16	Monitor Screws
11	32	Plastic Washer
12	04	Standard SpaceArm



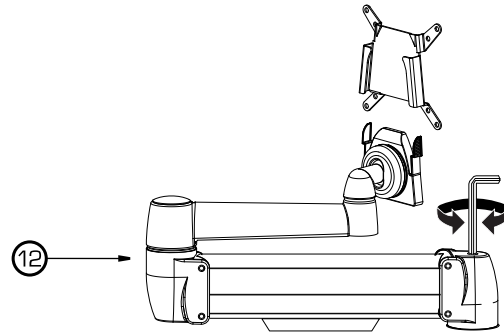
Monitor Mounting

Hardware package includes both short and long screws and plastic washers.

The long screws & plastic washers should be used for recessed monitor mounts.

Adjusting Counter Balance

*Required Tool: 5mm Allen Wrench



Position Arm so it is parallel to desk surface. Turn bolt clock wise for lighter monitors.

Cable Routing

