

SA11BT

SpaceArm Bolt Through Mount

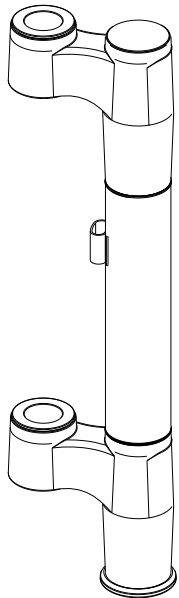
Required Tools:

17 mm socket and extension
5mm Allen wrench

Contents:

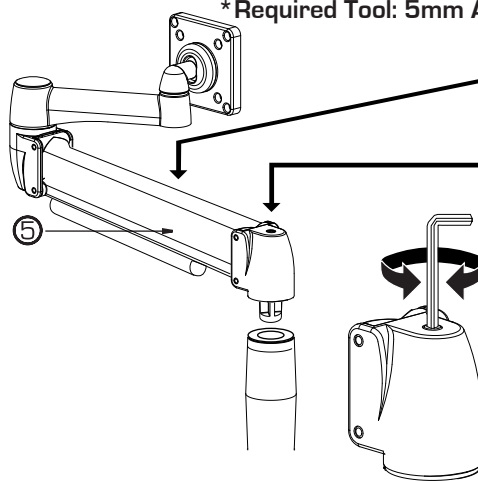
#	QTY	Name
1	1	T-Nut
2	1	Base Plate
3	2	Offset Single Hub
4	2	Stacking Spacer
5	2	Arm
6	1	8.5" Spacer
7	1	Washer
8	1	*441mm Bolt
9	1	Base Cap
10	1	Column Cable Clip
8		Monitor screw

* Located in bottom of box



Adjusting Counter Balance

* Required Tool: 5mm Allen Wrench

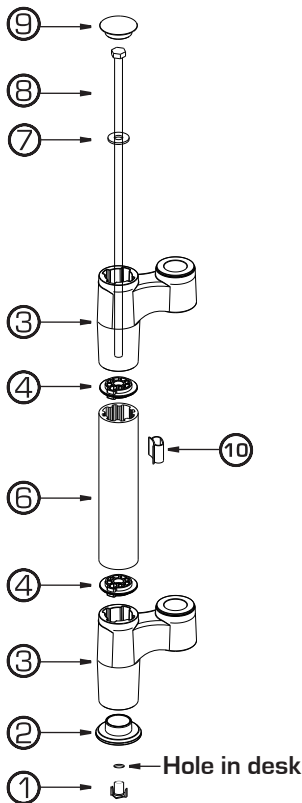


Position Arm so it is parallel to desk surface.

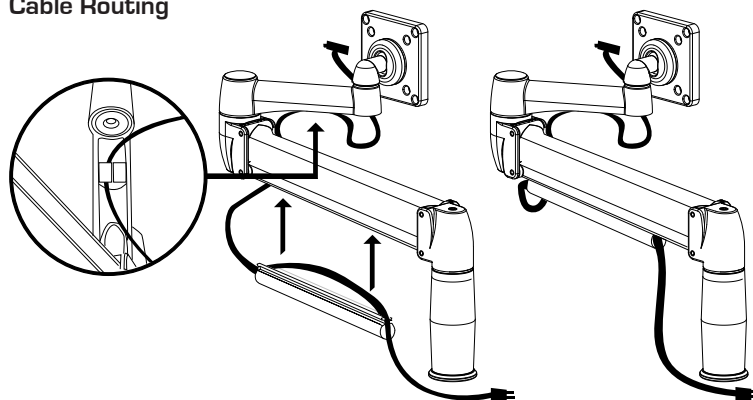
Turn bolt clock wise for Lighter monitors.

Turn bolt counter clockwise heavier monitors.

Instructions



Cable Routing



SpaceCo Business Solutions, Inc.
800.840.8499
www.spaceco.com