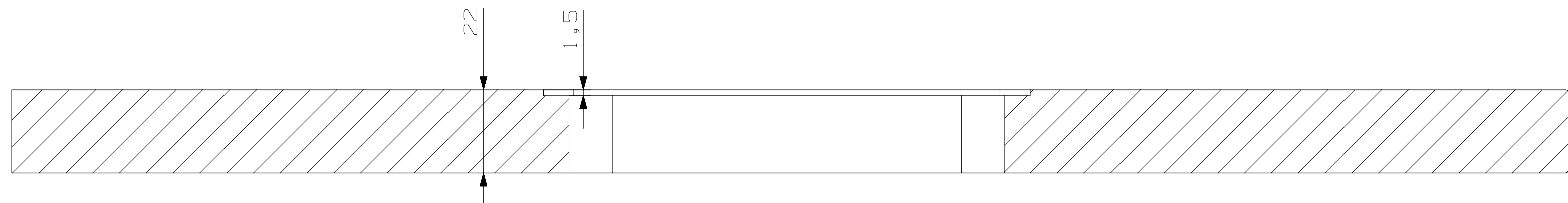
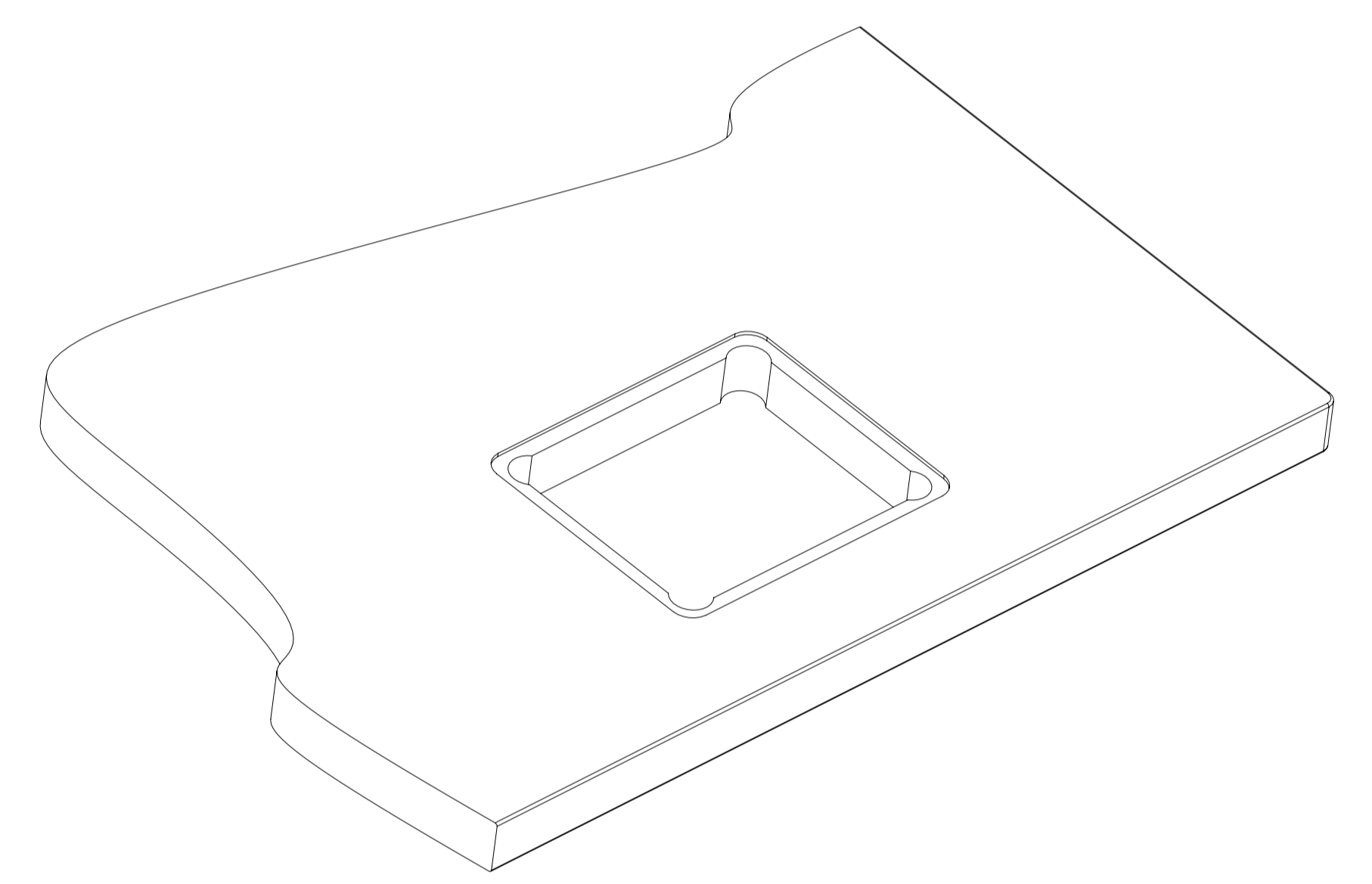
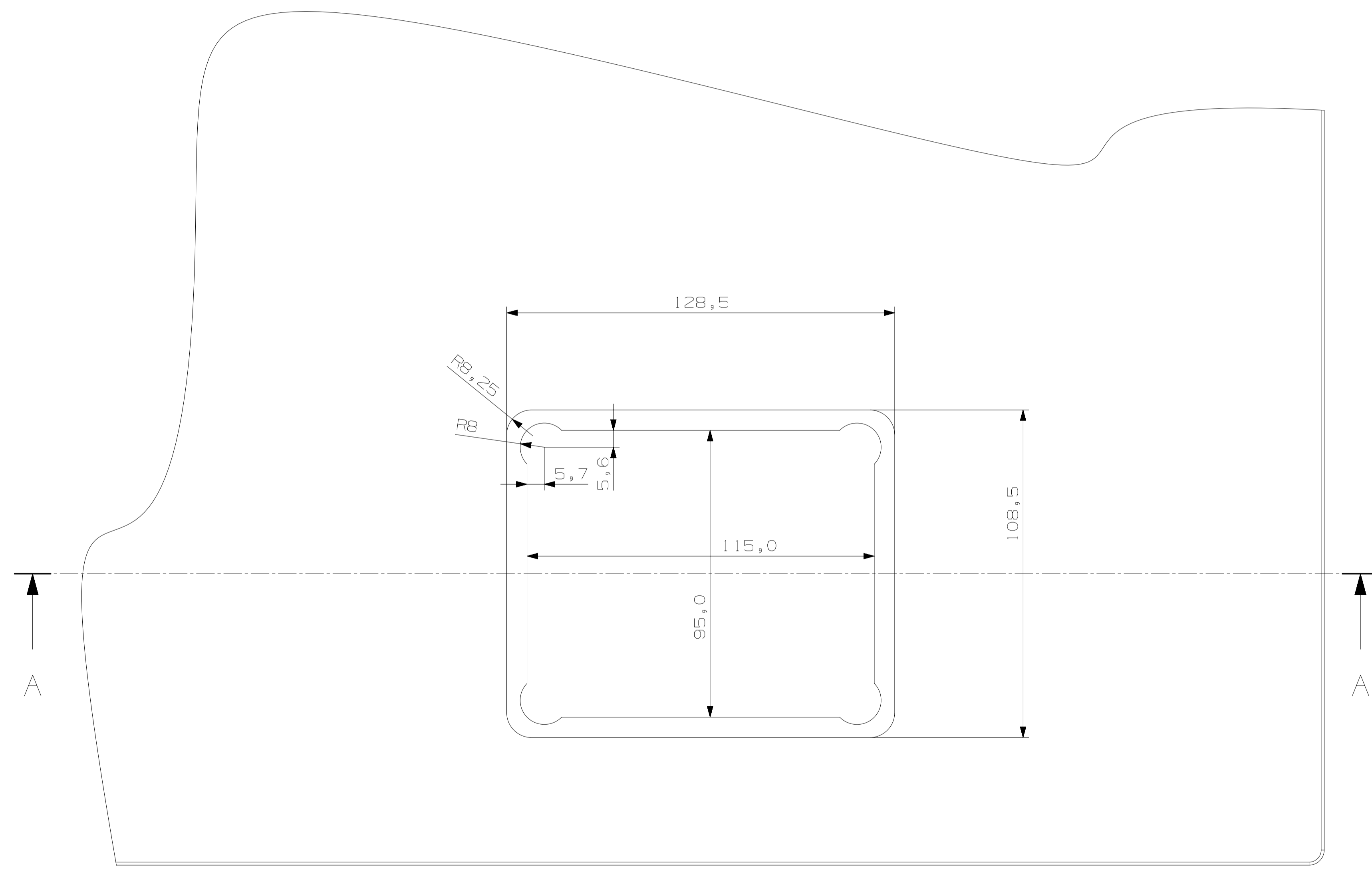


13	14	15	16
Symbol Rev.No.	Ant. Qty.	Forandring Revision note	Emn.nr. ECO.no.
X	XXXX		xx.xx.2008 xxxx
			Godk.j. App.



Snitt A-A



Artikel nr. Article No.	Ant. Qty.	Gjenstand Object	Pos. P.No.	Tegn. nr. Dwg. No.	Materiale Material	Anmerking Note
Tegn/Drw. KMS	Dato/Date 23.03.2012	Proj. NS-ISO 2768-1 Middels	Gen. ruhet / roughness	Målestokk / Scale 1:1	Artikel nr./ Article no.	703155
Ktrl./Ctrl.		Erstatning/Replacement for:	Erstattet av/Replaced by:			
Gkj/App.		Ring Mekanikk a.s.				
Bord utfresing Detaljtegning					Tel. +47 62330000 Fax. +47 62330001 N-2391 Moelv NORWAY	
1114					Tegning nr./ Drawing no. 703155	
CAD ref:					Rev. -	

COPYRIGHT RING MEKANIKK AS.  
 This drawing is the property of Ring Mekanikk as, and must not be reproduced in whole or part without our written permission.  
 Ellersvis, it must not be loaned to other persons or otherwise misused. The recipient will be liable for any misuse.