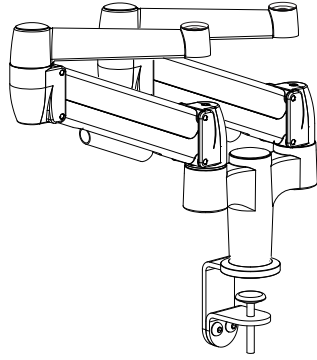


# SA02NK-CC

Standard SpaceArm No Top Knuckle Double Hub C-Clamp

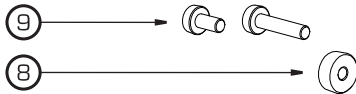


## Required Tools:

- 17 mm Socket
- 5mm Allen Key (Included)
- #2 Phillips Screwdriver

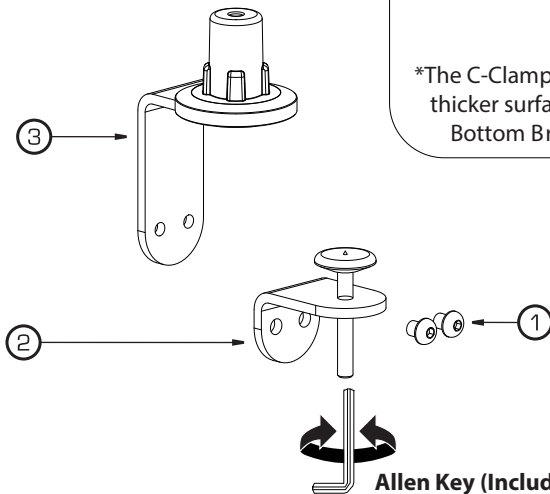
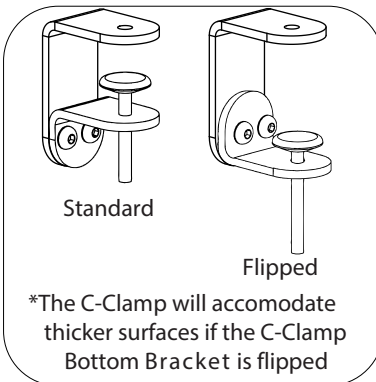
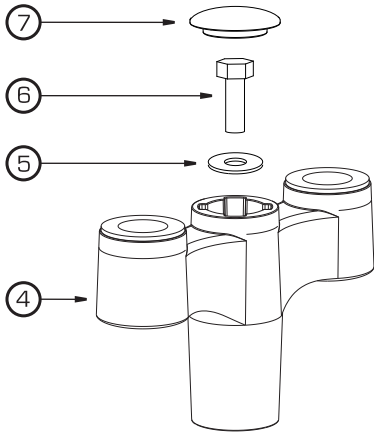
## Contents:

#	QTY	Part Name
1	02	sm M10 Screw
2	01	C-Clamp Bottom Bracket
3	01	C-Clamp Baseplate
4	01	Double Hub
5	01	M10 Washer
6	01	M10 Bolt
7	01	Base Cap
8	04	Plastic Washer
9	08	Monitor Screws Standard
10	02	SpaceArm



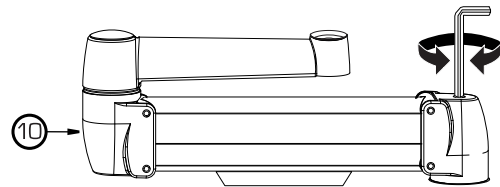
### Monitor Mounting

Hardware package includes both short and long screws and plastic washers. The long screws & plastic washers should be used for recessed monitor mounts.



### Adjusting Counter Balance

\*Required Tool: 5mm Allen Wrench



Position Arm so it is parallel to desk surface. Turn bolt clock wise for lighter monitors.

### Cable Routing

