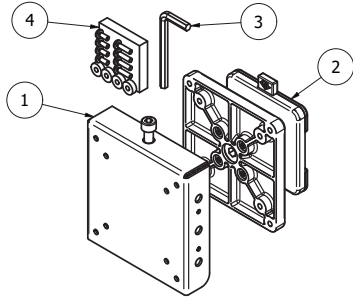


SPCA-480BK Instructions

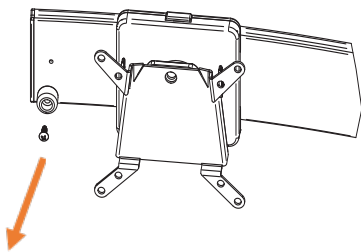
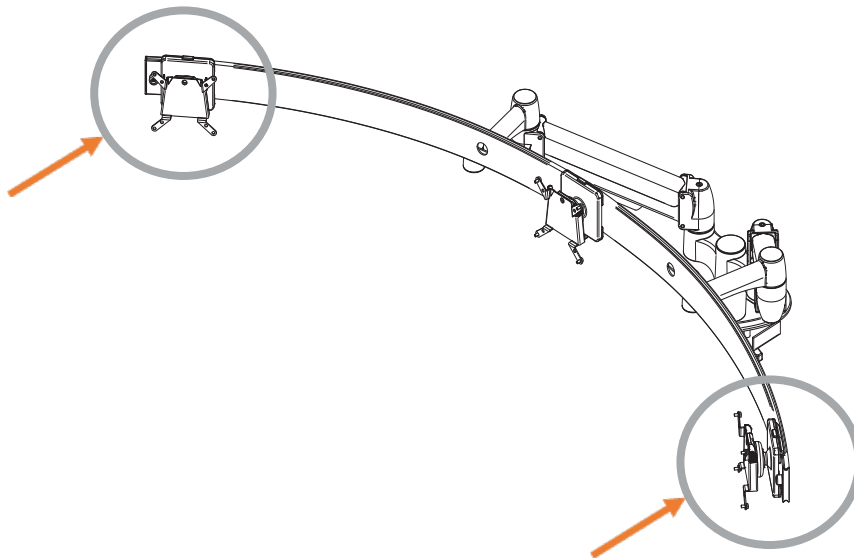
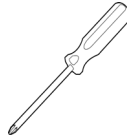
SpaceArm - Multi-Mount VESA Height Adjuster Kit

Part List

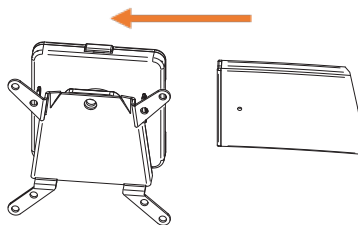


1. SpaceArm - Multi-Mount, VESA Height Adjuster, Body Assembly - Black.
2. Hexagon Socket Head Cap Screw - Black.
3. SpaceArm - VESA Direct Pivot Mount - REAMED - Black.
4. Pressure Plate.

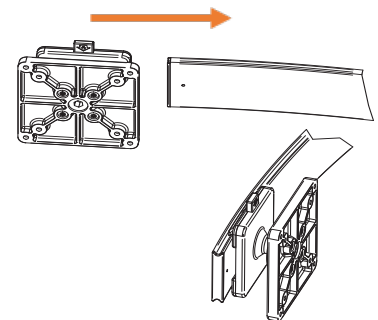
Tools



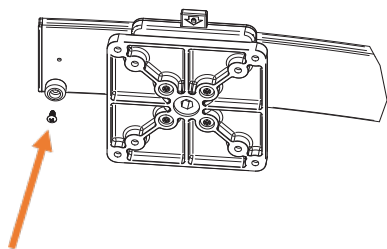
1. Remove screw and rubber bumper.



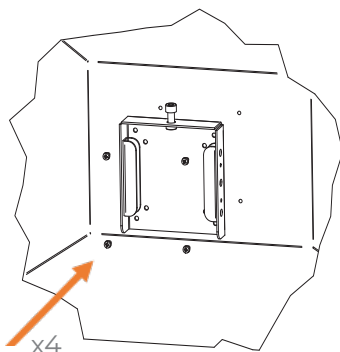
2. Slide VESA mount from rail.



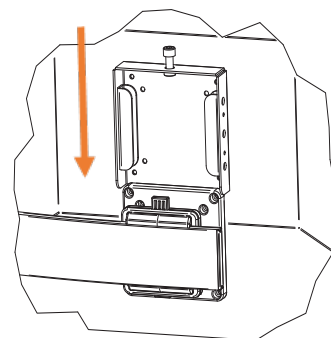
3. Slide new direct VESA mount onto rail.



4. Refit rubber bumper.



5. Fit the metal plate onto the back of the monitor using the fixing kit supplied.



6. Slide monitor with metal plate attached onto the direct mount.

7. Repeat at other end of rail.

