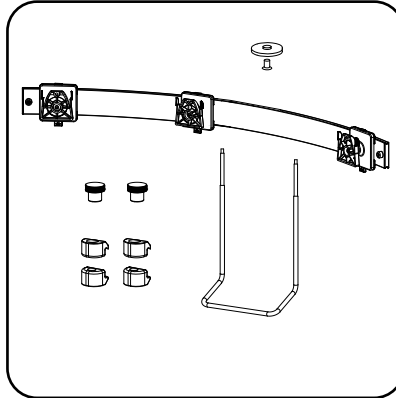


SMM23QC

Standard SpaceArm Multi Monitor Mount
 US Patent: 6,695,270 B1 6,758,454 B2 7,316,377 B2

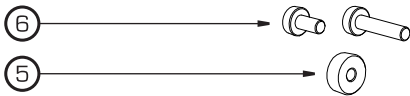


Required Tools:

M4 Allen wrench
 Phillips Screwdriver

Contents:

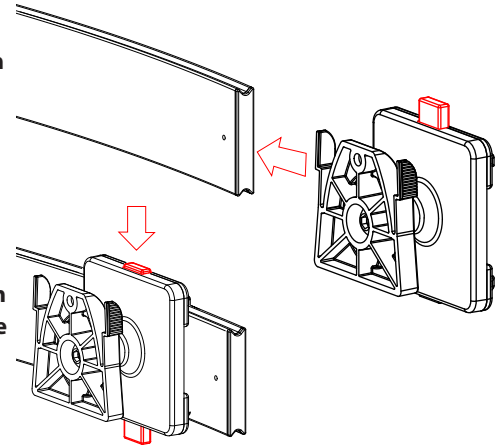
#	QTY	Part Name
1	01	Multiple Monitor Bracket
2	02	Handle Claw
3	02	Handle Cap
4	01	Handle
5	32	Monitor Screws
6	16	Plastic Washer



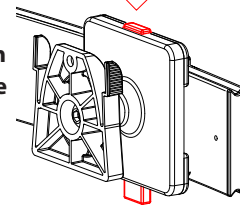
Monitor Mounting

Hardware package includes both short and long screws and plastic washers. The long screws & plastic washers should be used for recessed monitor mounts.

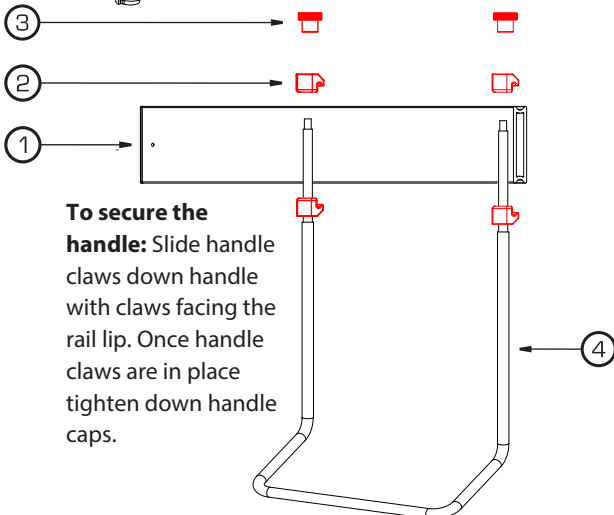
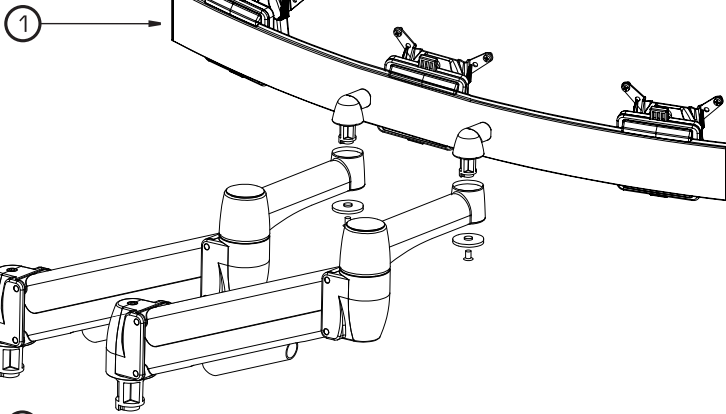
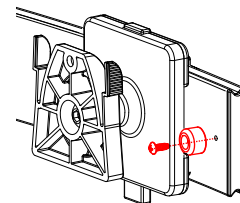
Slide mount onto rail with tab in up position



Push tab down to lock in place



Apply screw and rubber stop.



To secure the handle: Slide handle claws down handle with claws facing the rail lip. Once handle claws are in place tighten down handle caps.

