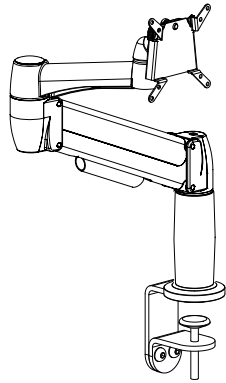


# SA01QCCC

Standard SpaceArm Quick Change Single Hub C-Clamp  
 US Patent: 6,695,270 B1 6,758,454 B2 7,316,377 B2

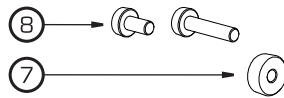
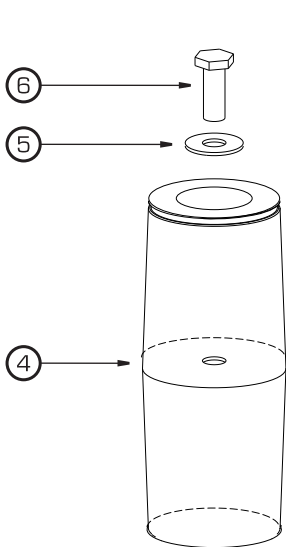


## Required Tools:

- 17 mm Socket
- 5mm Allen Key (Included)
- #2 Phillips Screwdriver

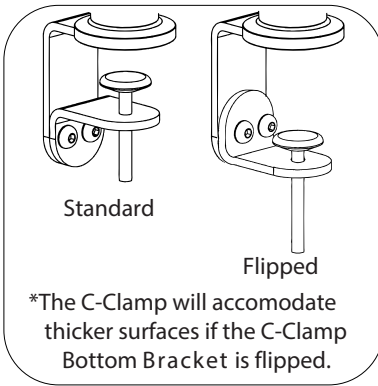
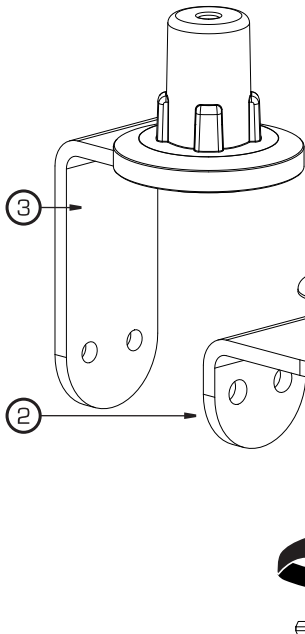
## Contents:

#	QTY	Part Name
1	02	sm M10 Screw
2	01	C-Clamp Bottom Bracket
3	01	C-Clamp Baseplate
4	01	Single Hub
5	01	M10 Washer
6	01	M10 Bolt
7	04	Plastic Washer Monitor
8	08	Screws Standard
9	01	SpaceArm

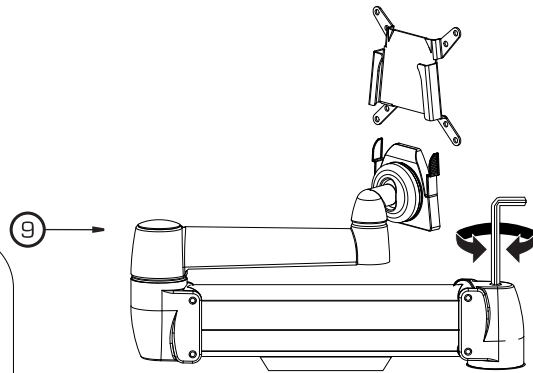


### Monitor Mounting

Hardware package includes both short and long screws and plastic washers. The long screws & plastic washers should be used for recessed monitor mounts.



Adjusting Counter Balance  
 \*Required Tool: 5mm Allen Wrench



Position Arm so it is parallel to desk surface. Turn bolt clock wise for lighter monitors.

### Cable Routing

